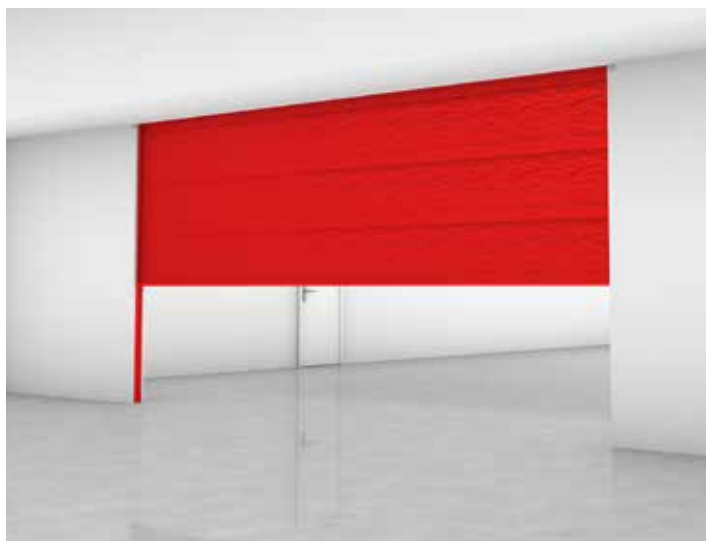


SYSTEM: FIBERSHIELD®

MODEL: FIBERSHIELD®-E



Product description

In the event of an alarm, self-closing non-thermally insulating fire curtain in vertical installation position and closing direction with small winding housing and guide rails.

Type	non-insulating fire curtain
Verification	CE marking according to EN 16034:2014 in conjunction with EN 13241:2003+A2:2016
Closing direction	From top to bottom
Fire resistance	E 30 – EW 90 Tested according to EN 1634-1:2014+A1:2018 Classified according to EN 13501-2:2016
Closing cycles	C0, C, C1, C2 Tested according to EN 12605:2000-08 and EN 12604:2017-12 Classified according to EN 13501-2:2016
Fire behaviour of textile	A2-s1, d0; B-s1, d0; E-d2 Tested according to ISO 1716 and EN 13823 or ISO 11295-2 Classified according to EN 13501-1:2018
Environmental conditions	Special environmental conditions are not taken into account (e.g. humidity > 80 %, ambient temperature < 5 °C and > 45 °C, wind loads etc.).
Visible surfaces	galvanised, RAL - smooth - silk-gloss - standard colour, NCS - standard colour

Size dimensions and system design

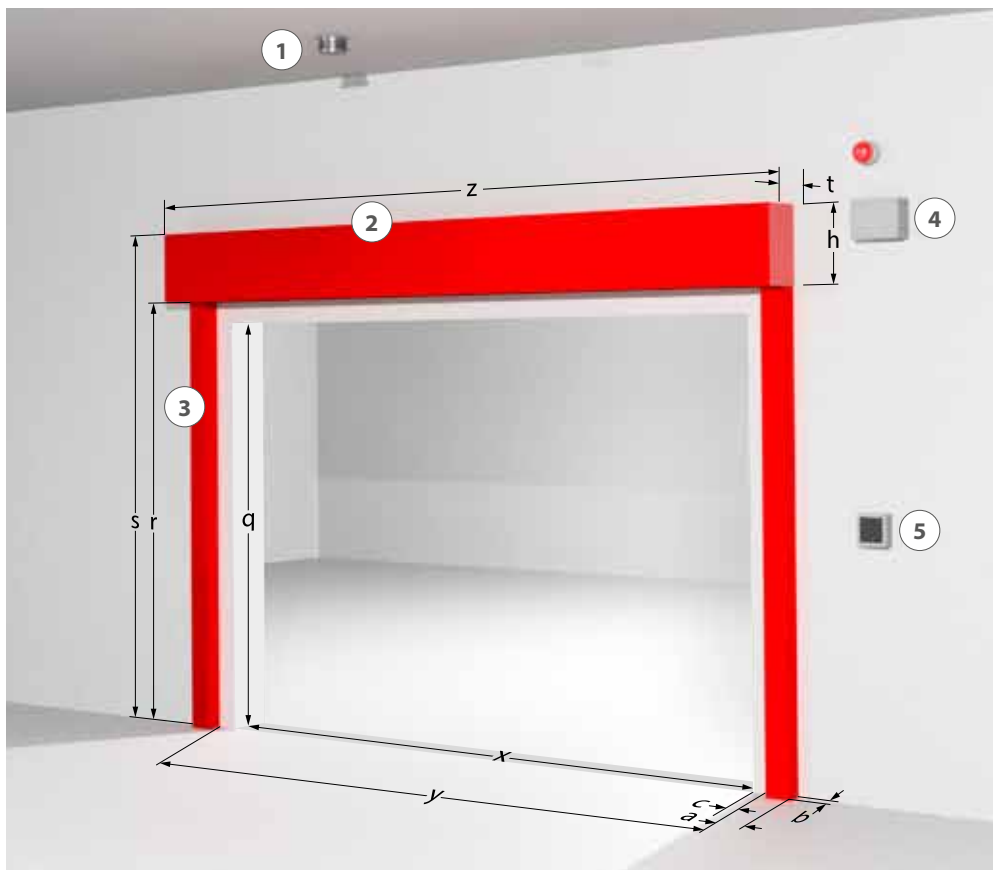
The combination of classifications or the ratio of clear system width to clear system height can reduce the stated maximum dimensions, the dimensions of the winding enclosure and the guide rails can vary. The specifications on the offer apply.

Fire resistance/ classifications	Size max.* [y x r] in mm	Fabric	Wall thickness** in mm	Winding case	Guide rails
E 30	3350 x 2815	Ecotex 1100 A2	140	Type A, B	Type 1, 2
E 60	3350 x 2815	Ecotex 1100 A2	140	Type A, B	Type 1, 2
E 90	3350 x 2815	Ecotex 1100 A2	200	Type A, B	Type 1, 2
EW 30	3350 x 2815	Ecotex 1100 A2	140	Type A, B	Type 1, 2
E 30	6800 x 6800	Heliotex	140	Type A, B	Type 1, 2
E 90	6000 x 6000	Heliotex	200	Type A, B	Type 1, 2
EW 90	6000 x 6000	Heliotex	200	Type A, B	Type 1, 2
C0	6000 x 6000	Heliotex			
C0, C1, C2	5880 x 4280	Ecotex 1100 A2			

The installation situation must comply with the building code requirements of the country of installation. The fire resistance of a ceiling or wall support structure and the adjacent components must at least correspond to that of the fire and/or smoke protection closure/fire and/or smoke protection curtain. Proof of the stability and serviceability of the adjacent walls and components must be provided under general ambient conditions and in the event of fire. See also notes on the standard supporting structure in EN1366-7:2004 or EN1363-1:2020. The fire protection system must not be subjected to any additional loads other than its own weight, even in the event of fire.

* Deviations from size dimensions on request

** Tested wall types according to the installation instructions



Legend System components:

- 1 = Smoke detector
- 2 = Winding case
- 3 = Guide rail
- 4 = Control module
- 5 = Trigger device (see the valid general type approval of the brake system for design details of the electrical components.)

Legend Dimensioning:

Structure

- q = Clear shell construction height
- x = Clear shell construction width

System

- s = System height
- r = Clear system height
- y = Clear system width
- z = System width

Winding case

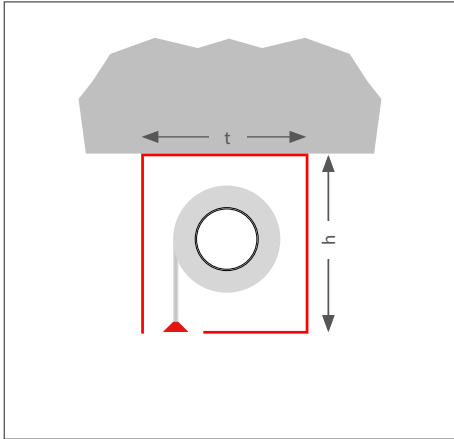
- t = Depth
- h = Height

Guide rail

- a = Width
- b = Depth
- c = Cover

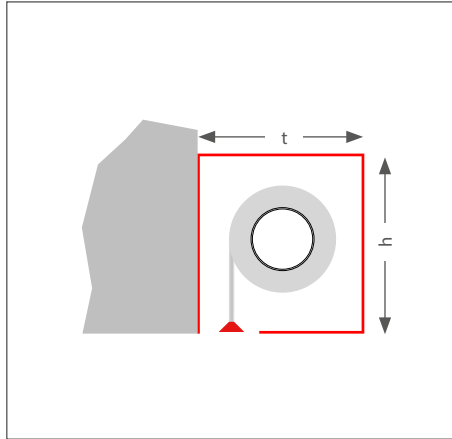
Winding case

Ceiling mounting



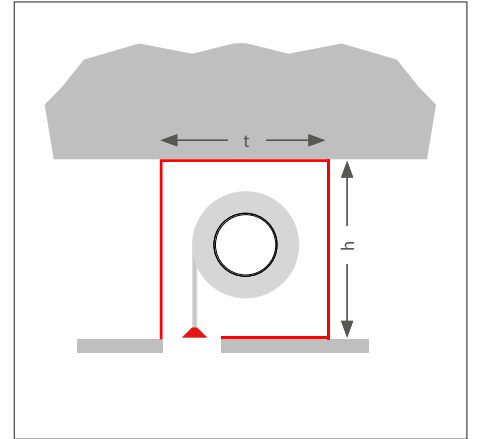
Type A: $t = 200 \text{ mm}$, $h = 220 \text{ mm}$
 Type B: $t = 250 \text{ mm}$, $h = 260 \text{ mm}$

Wall mounting



Type B: $t = 200 \text{ mm}$, $h = 220 \text{ mm}$
 Type C: $t = 250 \text{ mm}$, $h = 260 \text{ mm}$

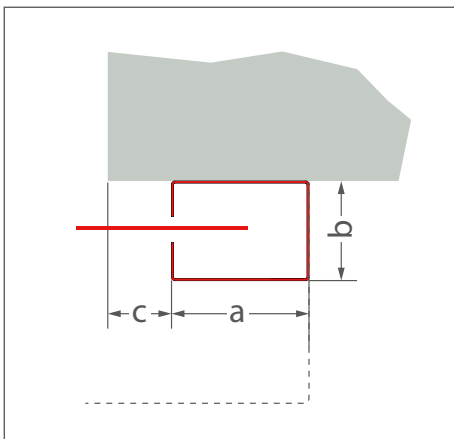
Ceiling mounting suspended ceiling



Type B: $t = 200 \text{ mm}$, $h = 220 \text{ mm}$
 Type C: $t = 250 \text{ mm}$, $h = 260 \text{ mm}$

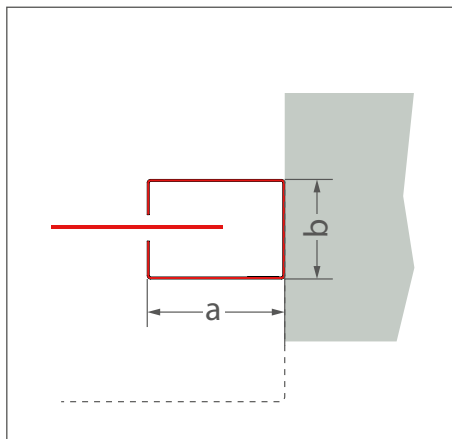
Guide rails

Type 1 (Wall mounting)



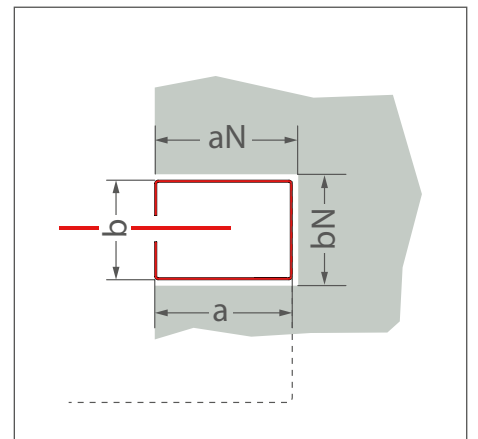
$a = 80 \text{ mm}$
 $b = 60 \text{ mm}$
 $c \geq 0 \text{ mm}$

Type 2 (Soffit mounting)



$a = 80 \text{ mm}$
 $b = 60 \text{ mm}$

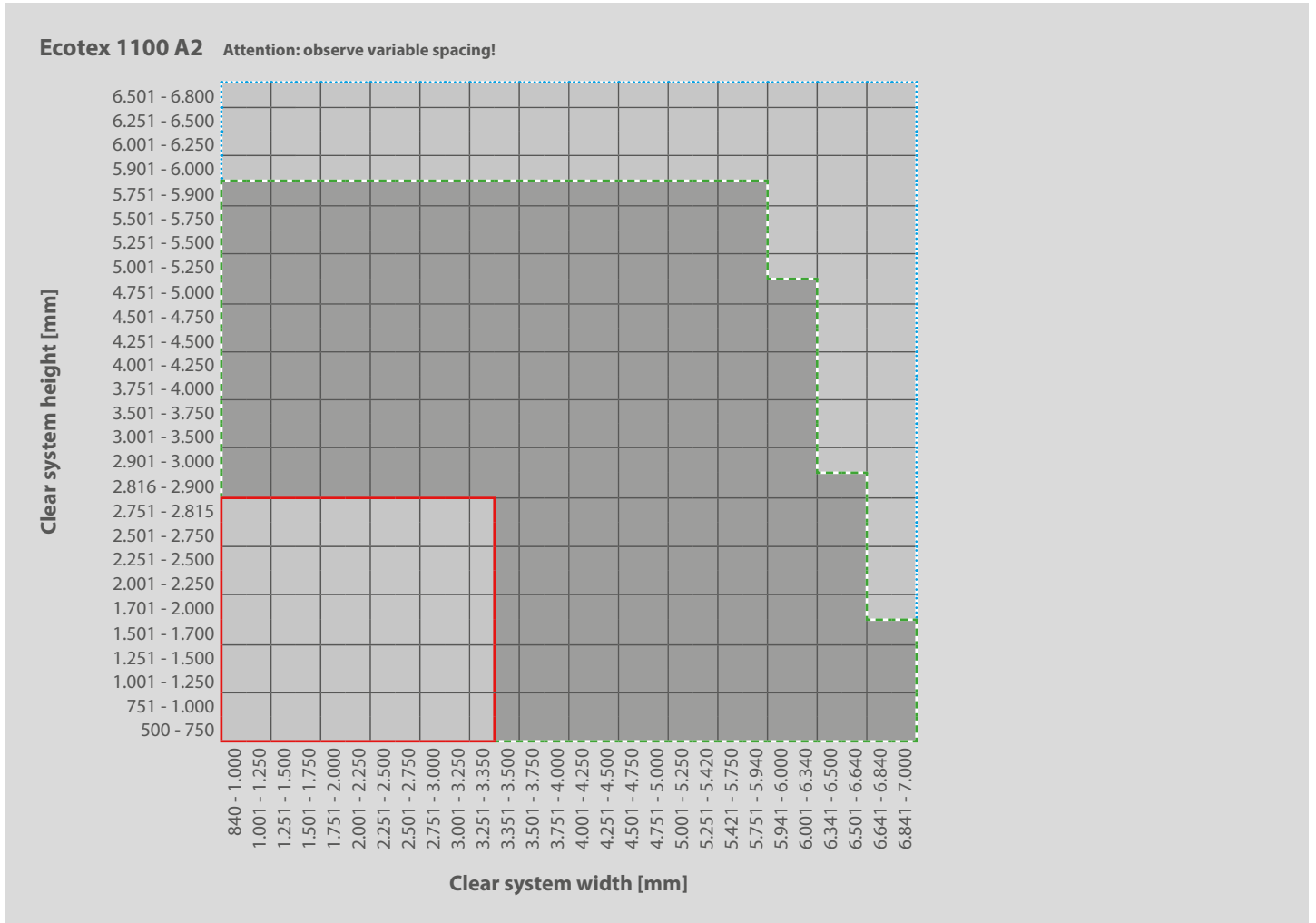
Type 2 (Niche mounting)



$a = 80 \text{ mm}$ $aN = 85 \text{ mm}$
 $b = 60 \text{ mm}$ $bN = 70 \text{ mm}$

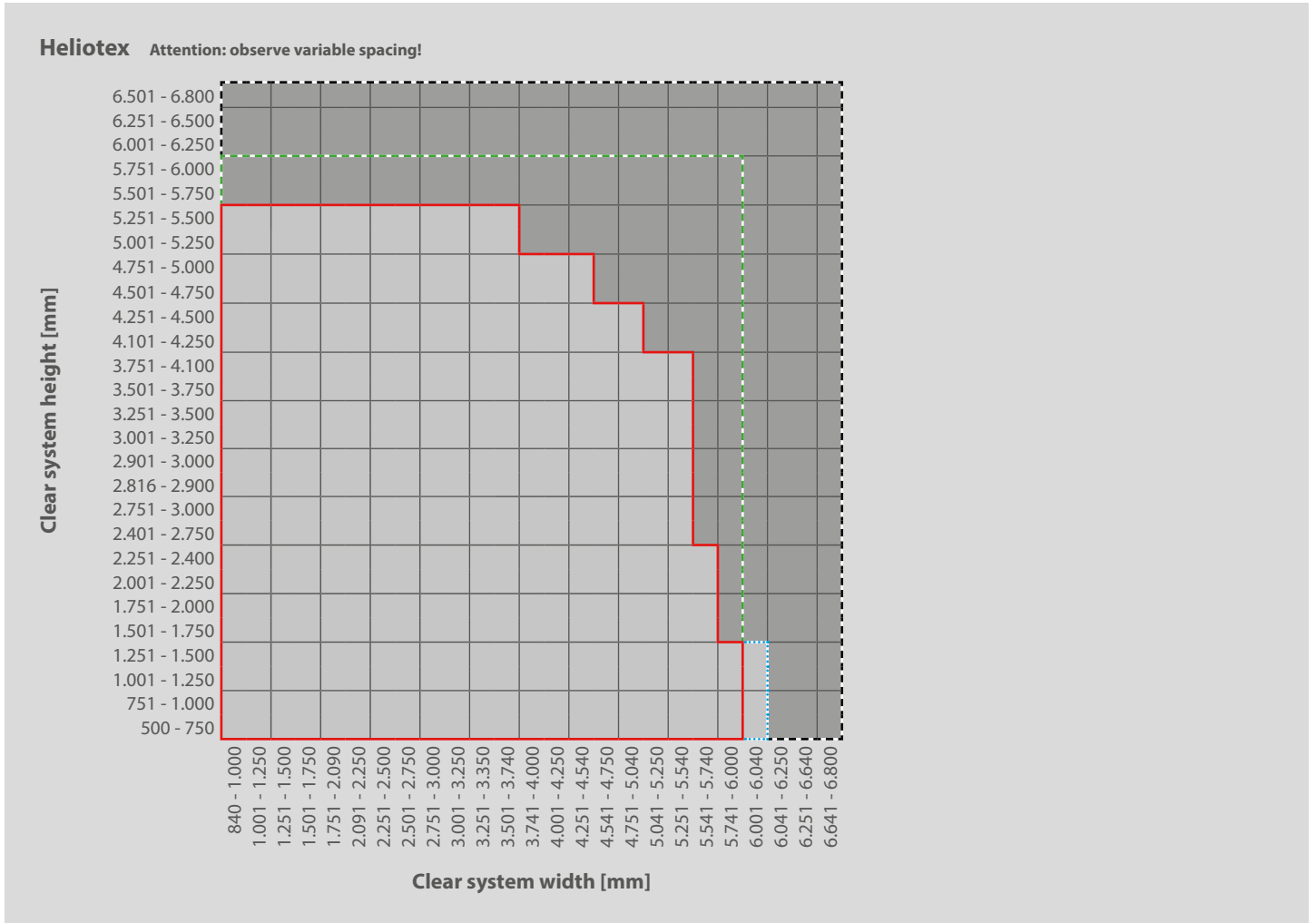
Note: Dotted line for the winding shaft receptacle (winding housing)

Overview of Housings



Housing types	Housing depth	Housing height	Mounting type: Housing/guide rail
E 30 – E 90 & EW 30: Type A + Type 1/2	200 mm	220 mm	Wall, ceiling/wall, reveal, niche
TM* without CE: Type A + Type 1/2	200 mm	220 mm	Wall, ceiling/wall, reveal, niche
TM* without CE: Type B + Type 1/2	250 mm	260 mm	Wall, ceiling/wall, reveal, niche
Standard housing			

Overview of Housings



Housing types	Housing depth	Housing height	Mounting type: Housing/guide rail
E 90 & EW 30: Type A + Type 1/2	200 mm	220 mm	Wall, ceiling/wall, reveal, niche
E 90 & EW 30: Type B + Type 1/2	250 mm	260 mm	Wall, ceiling/wall, reveal, niche
TM* without CE: Type A + Type 1/2	200 mm	220 mm	Wall, ceiling/wall, reveal, niche
TM* without CE: Type B + Type 1/2	250 mm	260 mm	Wall, ceiling/wall, reveal, niche

Standard housing