



## Moducoil

The standard smoke apron in a modular design

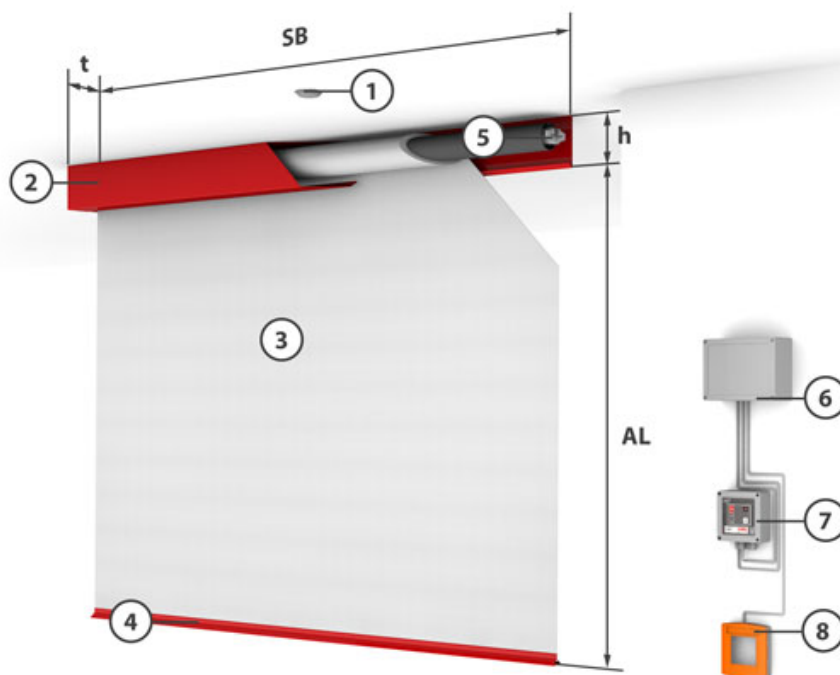
### Product description

Prefabricated individual modules are lined up as a unit to form a complete smoke apron up to any length Standardised drop lengths up to 7 m Designed for the time class and temperature loads D = 600 °C As standard with "Gravigen" drive system i.e. closing without external energy, fire-resistant cables are not necessary Robust drive systems, suitable for a high number of cycles up to 1,000 cycles with approved locking devices Modular mounting of the winding casings on top of or next to each other Connected closing strip across all modules Also suitable (approved) for use as a floor-closing smoke apron and with lateral guide rail option.

<b>Type</b>	Textile smoke apron	<b>Closing cycles</b>	1,000 cycles according to DIN EN 12101-1
<b>Proof of usability</b>	UL 1784	<b>Classification</b>	D 120 • DH 30 • Classification according to DIN EN 12101-1
<b>Verification</b>	- Z - 56. 429 - 916 • CE according to DIN EN 12101-1	<b>Triggering</b>	Approved hold-open system • To be provided on site
<b>Closing direction</b>	from top to bottom		

## Constructive system design (Single module)

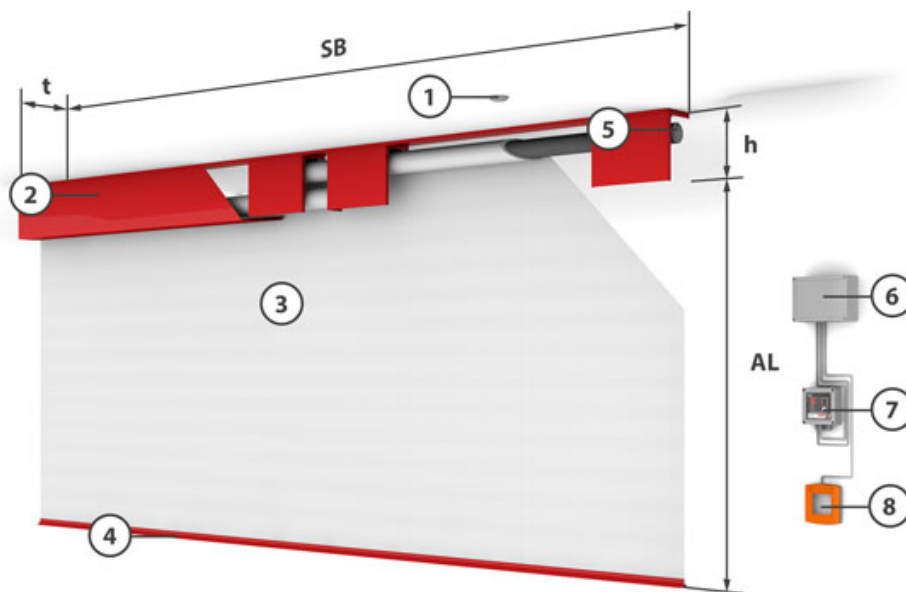
System width	Drop length	t	h
≤ 5 m	≤ 4,5 m	150 mm	150 mm
≤ 5 m	> 4,5 m - ≤ 7 m	185 mm	185 mm
> 5 m - ≤ 7 m	≤ 4,5 m	185 mm	185 mm



1 = Smoke detector 2 = Casing 3 = Fabric 4 = Closing element 5 = Tubular motor 6 = Control module 7 = Control with operating unit 8 = Manual release

## Constructive system design (Multiple module, above each other)

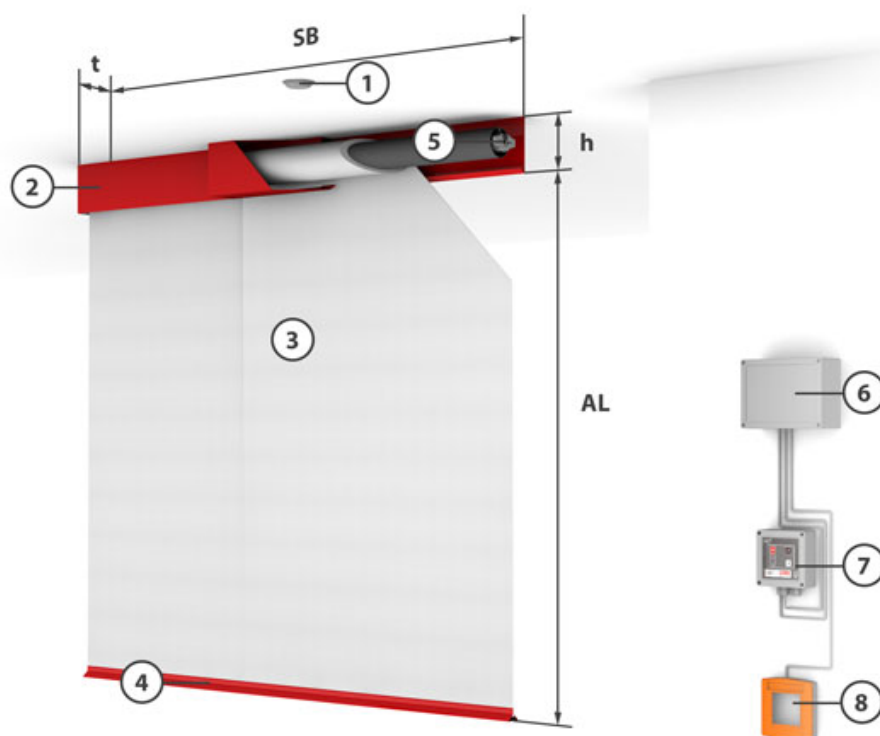
system width (SB)	drop length (AL)	t	h
> 7 m	4,5 m	160 mm	280 mm
> 7 m	4,5 m - ≤ 7 m	195 mm	350 mm



**1** = Smoke detector **2** = Casing **3** = Fabric **4** = Closing element **5** = Tubular motor **6** = Control module **7** = Control with operating unit  
**8** = Manual release

## Constructive system design (Multiple module, next to each other)

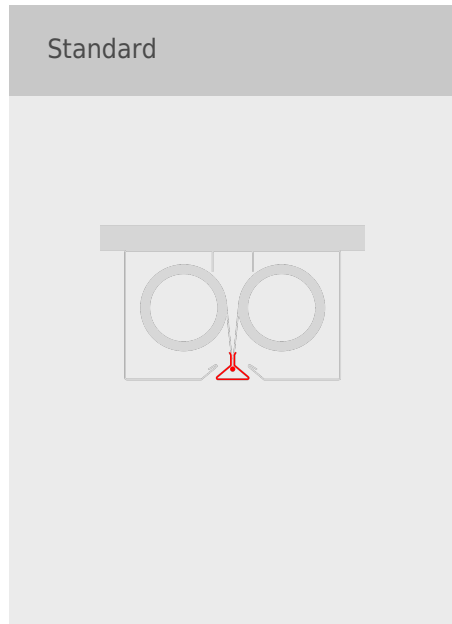
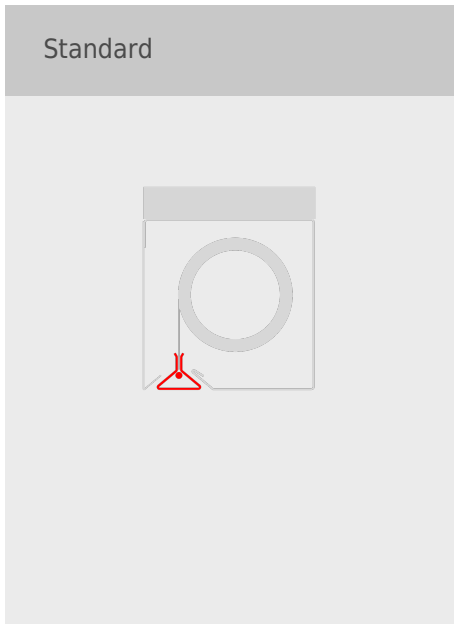
System width	Drop length	t	h
> 7 m	4.5 m	250 mm	150 mm
> 7 m	4.5 m - ≤ 7 m	320 mm	185 mm



- 1** = Smoke detector   **2** = Casing   **3** = Fabric   **4** = Closing element   **5** = Tubular motor   **6** = Control module   **7** = Control with operating unit  
**8** = Manual release

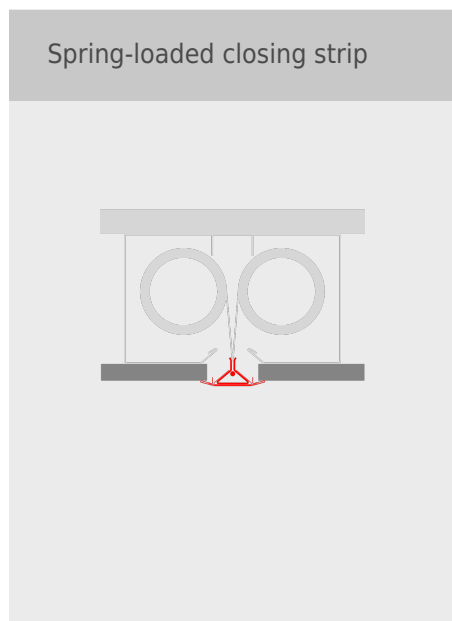
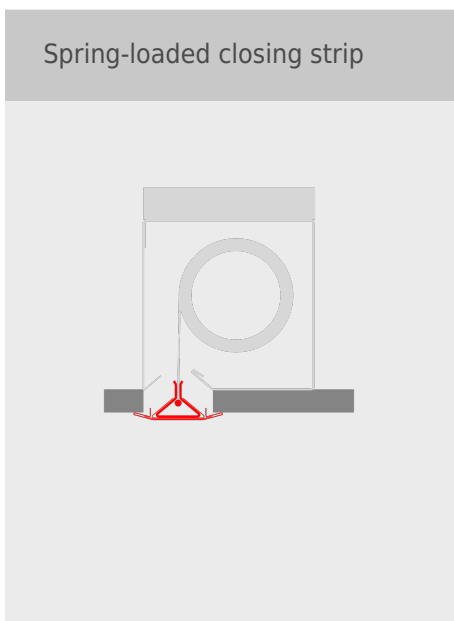
## Closing strips

standard

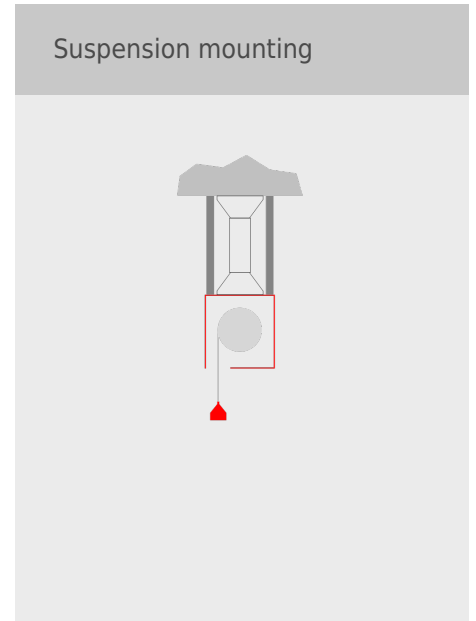
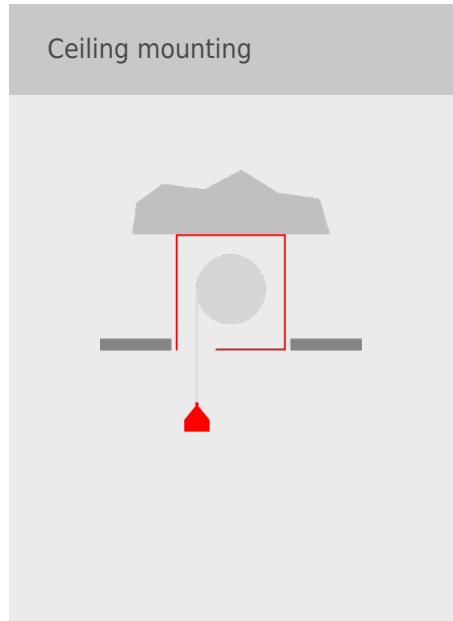
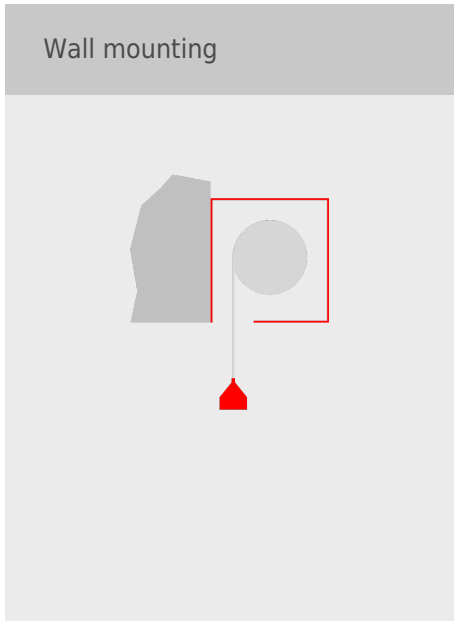


## Closing strips

special

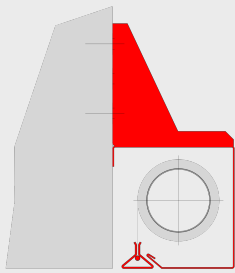


## Casing installation options

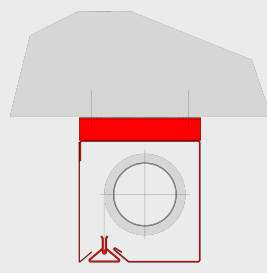


## Casing

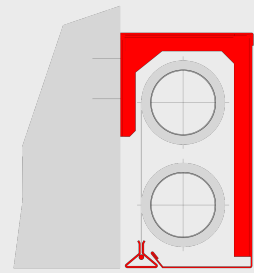
Single smoke protection (wall)



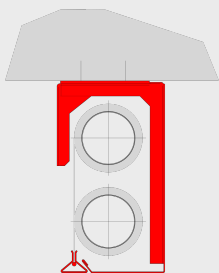
Single smoke protection (ceiling)



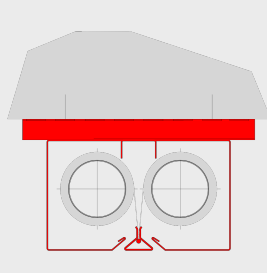
Wall/above one another



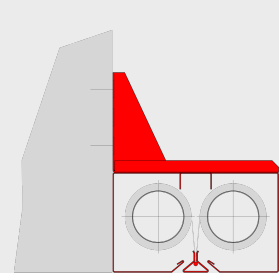
Ceiling/above one another



Ceiling/next to each other

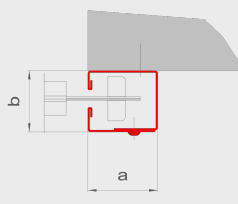


Wall/next to each other



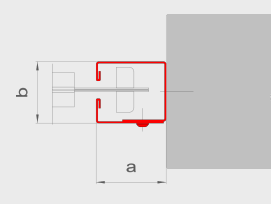
## Guide rails

Wall



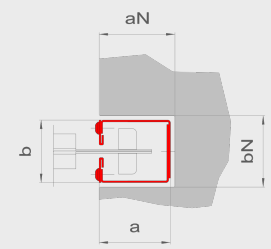
**a = 80 mm   b = 70 mm**

Embrasure



**a = 80 mm   b = 70 mm**

Niche



**a = 80 mm   b = 70 mm**  
**aN = 85 mm   bN = 80 mm**