

Fibershield®-S

The room creating textile fire protection closure that goes around the corner

Product Description

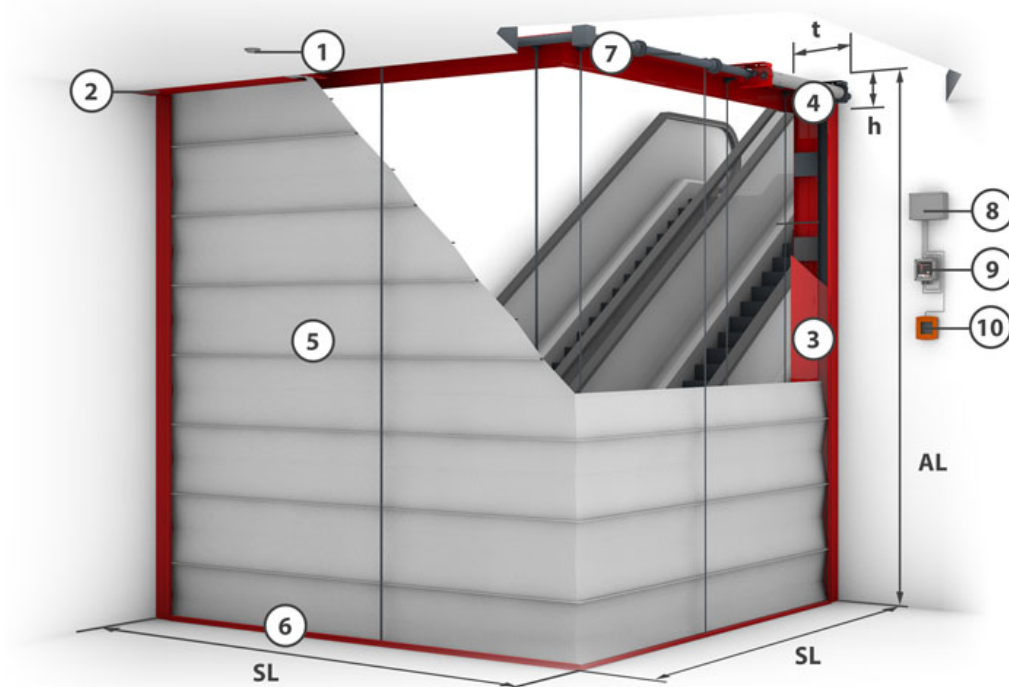
textile fire protection curtain

Fire protection that goes around corners: The basic surface of the closure can be created as a rectangular and polygon-shape with angles between 30° and 150°. No support elements are required despite corner designs. In addition to closed polygon forms, open systems can also be realised that close against the wall using special guide rails. A spring-mounted closure strip serves to create a clean closure to the ceiling. The fire protection curtain can be closed without any external energy using a stand installed 'Gravigen' drive system. The Fibershield-S allows complex shield geometries to be realised and at the same time satisfies and the requirements of the room closure for more than 90 minutes.

construction type	textile fire protection curtain	closing direction	from top to bottom
executable protection target	EI - with fire load free zone • EW 90 • EI - with sprinklers	proof	IBS 08062416
fabric	Ecotex 1100 A2 • Heliotex	closing cycle	C1 number of closing cycles 500
fire load free zone	Protex/Ecotex: EI 30/60/90min 100/150/200 cm • Heliotex: EI 30/60/90min 20/30/50 cm		

Constructive structure (System drawing)

Fabric	System width	Drop length	t	h
Ecotex 1100 A2	< 50 m	< 3 m	490 mm	125 mm
Ecotex 1100 A2	< 50 m	> 3 m - ≤ 6 m	490 mm	225 mm
Heliotex EW 90	< 50 m	< 2,2 m	490 mm	125 mm
Heliotex EW 90	< 50 m	> 2,2 m - ≤ 2,5 m	490 mm	225 mm
Heliotex EW 90	< 50 m	> 4,5 m - ≤ 6 m	490 mm	450 mm

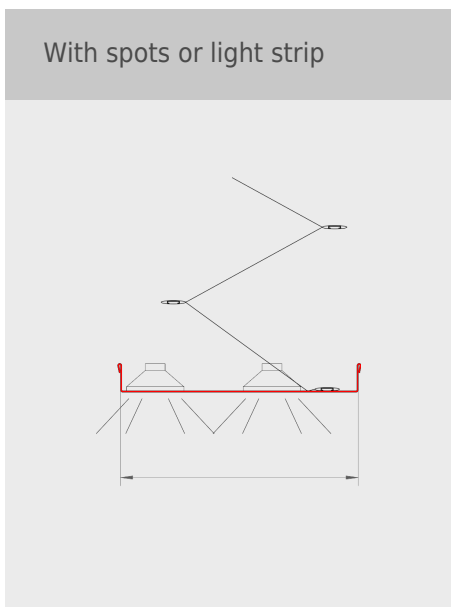
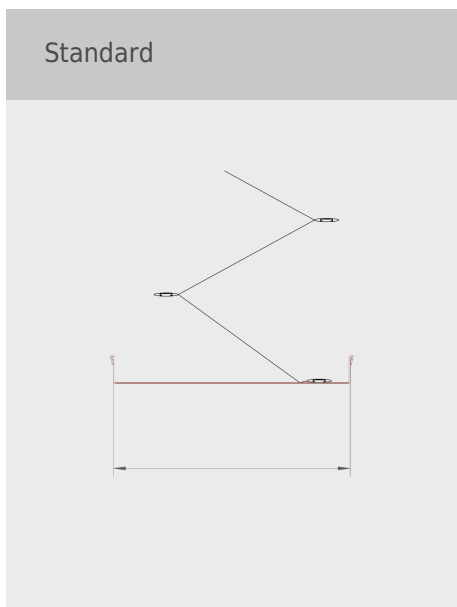


1 = Smoke detector **2** = Casing **3** = Side guides **4** = Tubular motor **5** = Fabric **6** = Closing element **7** = Coil **8** = Control module
9 = Control with operating unit **10** = Manual release **SL** = System length

bottom bar

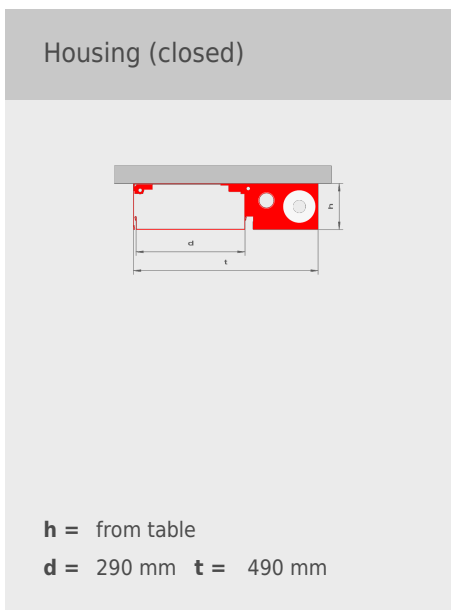
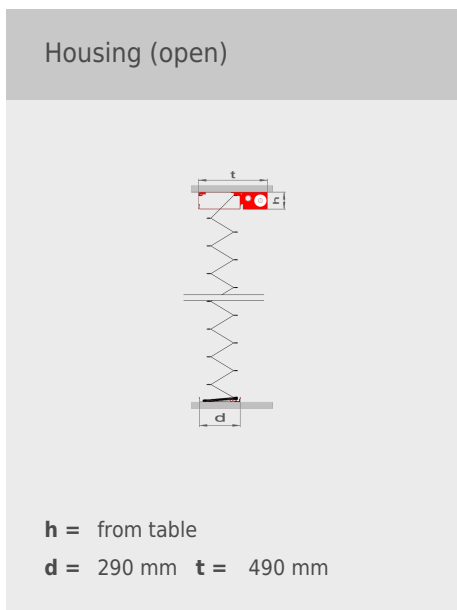
standard

special



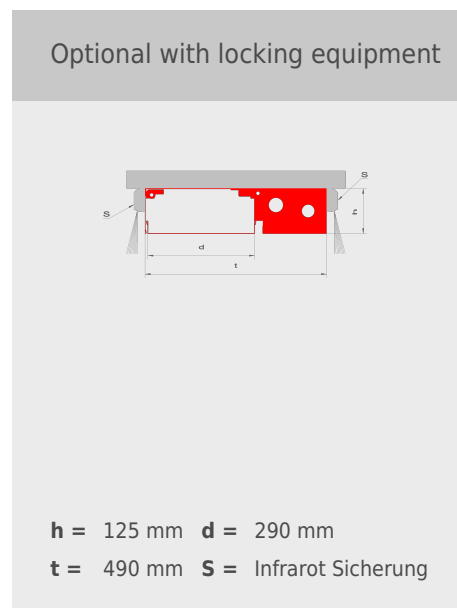
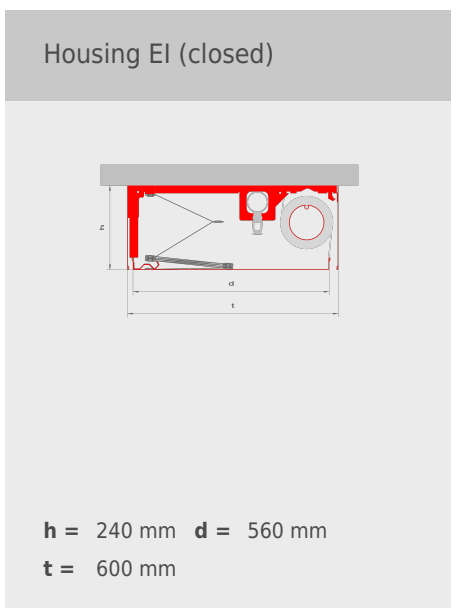
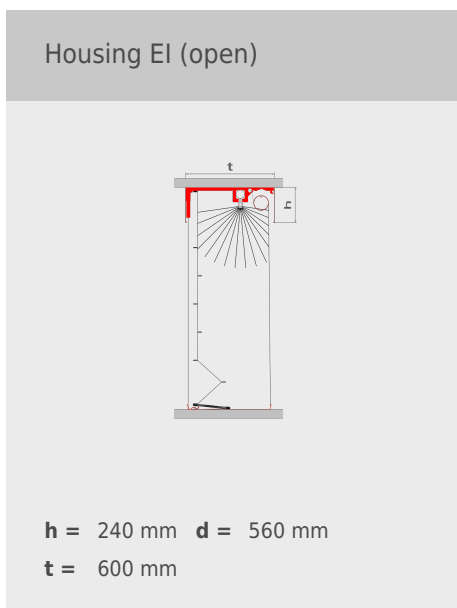
housing

standard



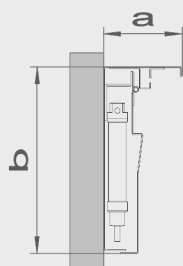
housing

special



side guides

Guide for open polygons



a = 117 mm **b** = 278 mm

references

Segeberger clinics

