



Slim, space-saving conveyor system closure in element design

Product Description

The Global Conveyor Closure (GCC) is a compact conveyor system closure in an element design for interrupted and continuous conveyor technique.

There is just a small overlap needed around the opening at the wall.

For interrupted conveying systems, just a short interruption of the conveying technique (cutting line) is requested due to the minimal strength of the slide damper sheet.

There is a wide range of surface design options for the slide damper sheet - from cost-efficient basic version consisting of untreated fire protective plates to a coloring by emulsion paints to a premium cladding of the slide damper surface by galvanized steel panel (optionally powder-coated or in stainless steel).

construction type	fire protection closure during ground bound conveyors	reopening	Motorised (standard)
closing direction	from top to bottom • from left to right • from right to left	conveying system	interrupted conveyor systems • downhill runway • Continuous belt conveyor • Continuous travelling carriages • continuous roller conveyor • Continuous chain conveyor
fire resistant	Tested in compliance with DIN EN 1366		
closing cycle	C5 number of closing cycles 200.000		

Constructive structure (vertical)

Required wall quality

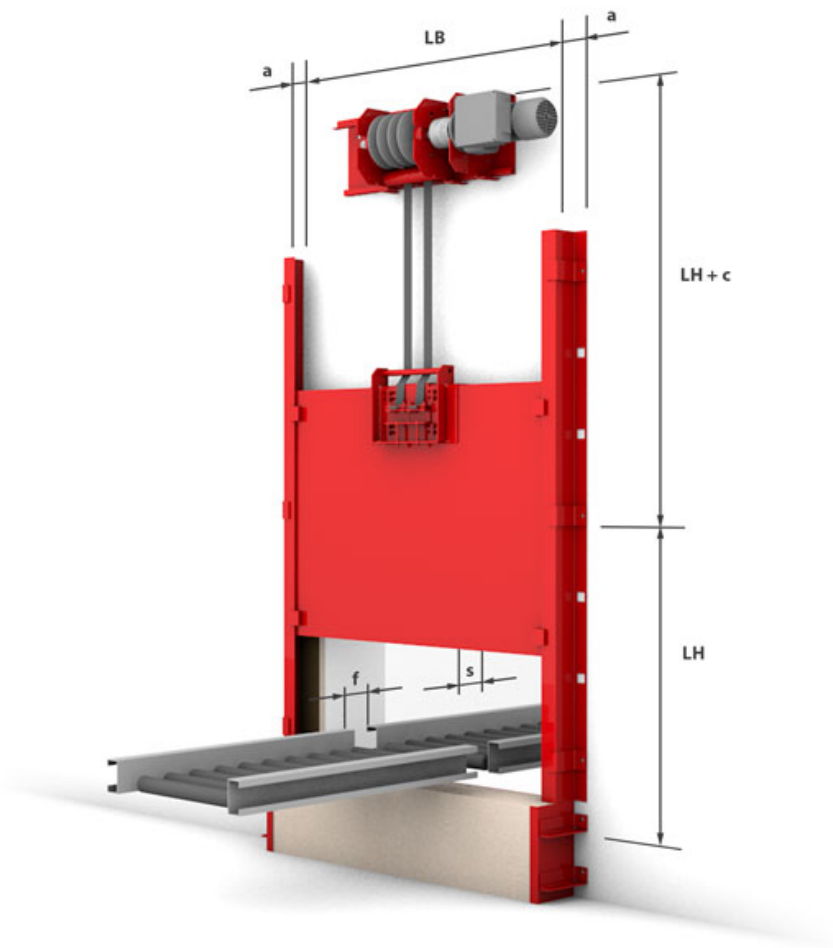
Brickwork	$d \geq 150 \text{ mm}$
Concrete	$d \geq 150 \text{ mm}$
Gas concrete	$d \geq 150 \text{ mm}$
Covered steel structure	DIN 4102-4

Approval range (max 10,08 m²)

LB	3600 mm
LH	4200 mm

Technical feasibility

LB	3600 mm
LH	4200 mm



a = 155 **c** = 570 **f** = 70 **s** = 51

Constructive structure (horizontal)

Required wall quality

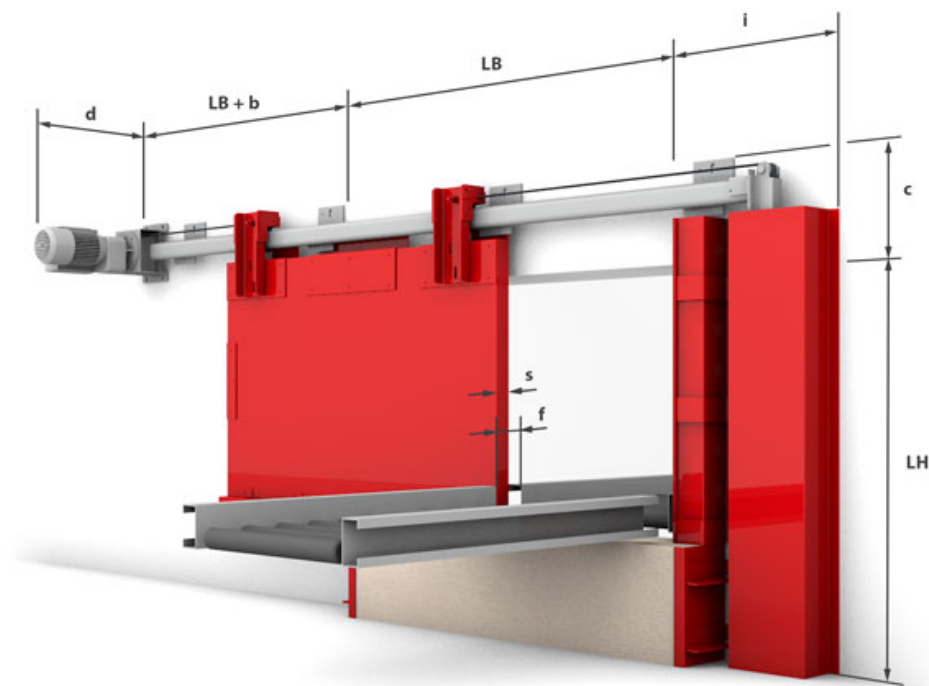
Brickwork	$d \geq 150 \text{ mm}$
Concrete	$d \geq 150 \text{ mm}$
Gas concrete	$d \geq 150 \text{ mm}$
Covered steel structure	DIN 4102-4

Approval range (max 10,08 m²)

LB	3600 mm
LH	4200 mm

Technical feasibility

LB	3600 mm
LH	4200 mm



b = 260 **c** = 270 **d** = 500 **f** = 70 **i** = 425 **s** = 51