

Stoebich Smoke Curtain S

The space-creating smoke curtain for high demands

Product Description

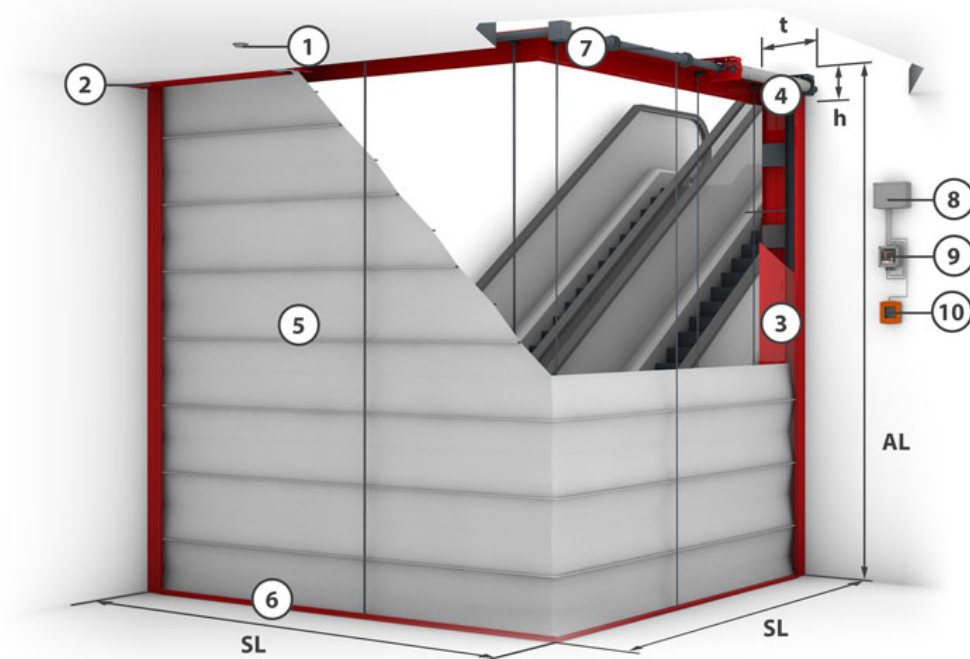
Rectangular and polygon-shaped basic surface of the smoke protection curtain edge dimensions up to 629,92" and unrolled lengths of up to 236.22".

- For high time class and temperature loads D120 (1,112 °F)
- Without residual openings - neither in the upper area nor in the corners
- No support necessary, despite this absolutely tight even under pressure loads
- Low installation height of the casing of approx. 4,92" at an AL < 118.11"
- As standard with the 'Gravigen' drive system, i.e. closes without any external energy
- Fire-resistant cables are not necessary
- Redundant drive systems as a fall guard
- Suitable (approved) also as a floor-closing smoke protection curtain

construction type	textile smoke curtain	feasible size	Up to 164 ft. circumference or 19.7 ft. drop length
fabric	Fire & Smoke Fabric E	guide type	side guides • without side guides
proof	Z - 56.429 - 916 (fabric) • IBS 08062415 • UB 3.3/ 10-018-1	classifications according to DIN EN 12101-1	Klassifizierung nach DIN EN 12101-1
closing direction	from top to bottom		
closing cycle	C self-closing		

Constructive structure (system drawing)

Gewebe	Systemumfang	Abrolllänge (AL)	t	h
Ecotex 1100 A2	< 50 m	< 3 m	490 mm	125 mm
Ecotex 1100 A2	< 50 m	> 3 m - ≤ 6 m	490 mm	225 mm
Heliotex EW 90	< 50 m	< 2,2 m	490 mm	125 mm
Heliotex EW 90	< 50 m	> 2,2 m - ≤ 2,5 m	490 mm	225 mm
Heliotex EW 90	< 50 m	> 4,5 m - ≤ 6 m	490 mm	450 mm



1 = Smoke detector

2 = Casing

3 = Side guides

4 = Tubular motor

5 = Fabric

6 = Closing element

7 = Coil

8 = Control module

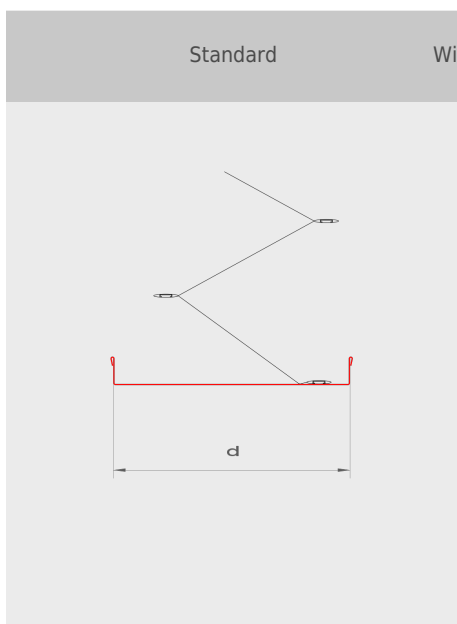
9 = Control with operating unit

10 = Manual release

SL = System length

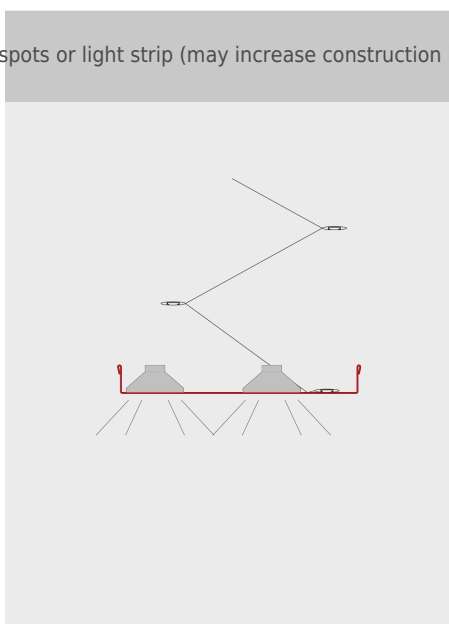
bottom bar

Standard



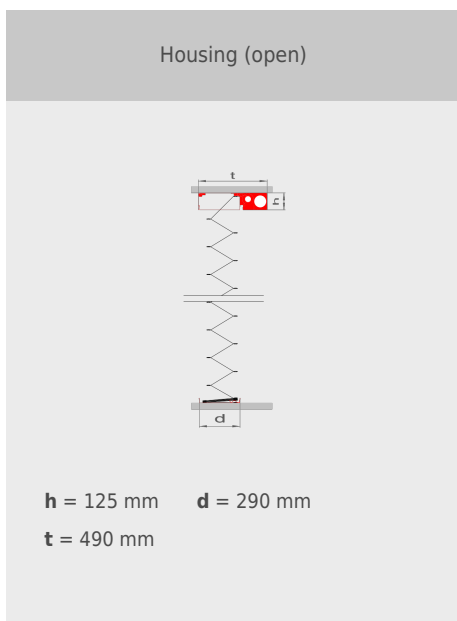
Special

With spots or light strip (may increase construction height)



housing

Standard



Special

