

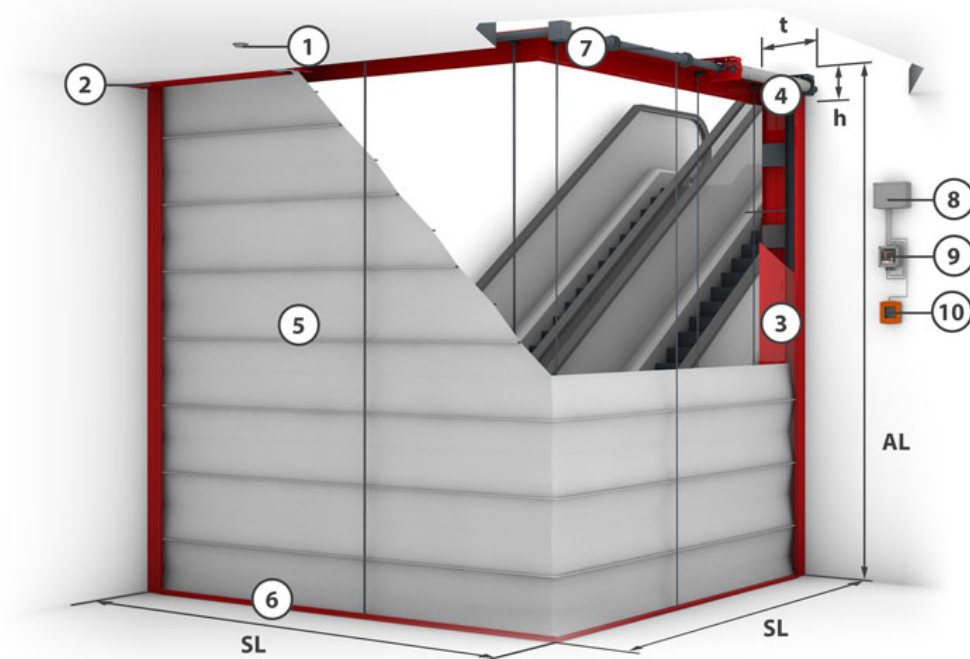
Stoebich Fire & Smoke Curtain S

The room creating textile fire protection closure that goes around the corner

construction type	textile fire protection curtain	closing direction	from top to bottom
executable protection target	EW 90	fire resistant	2 hours fire rating according to UL 10D, 20 minutes fire rating according to UL 10B, UL 10C, NFPA 252
fabric	Fire & Smoke Fabric E • Stoebich Fire & Smoke Fabric H	closing cycle	C1 number of closing cycles 500
proof	IBS 08062416 • UL 10D • UL 10 (b) (2009) • UL 10 (c) (2009) • UL 10 (d) (2009) • NFPA 252 (2012)		

Constructive structure (system drawing)

Gewebe	Systemumfang	Abrolllänge (AL)	t	h
Ecotex 1100 A2	< 50 m	< 3 m	490 mm	125 mm
Ecotex 1100 A2	< 50 m	> 3 m - ≤ 6 m	490 mm	225 mm
Heliotex EW 90	< 50 m	< 2,2 m	490 mm	125 mm
Heliotex EW 90	< 50 m	> 2,2 m - ≤ 2,5 m	490 mm	225 mm
Heliotex EW 90	< 50 m	> 4,5 m - ≤ 6 m	490 mm	450 mm



1 = Smoke detector

2 = Casing

3 = Side guides

4 = Tubular motor

5 = Fabric

6 = Closing element

7 = Coil

8 = Control module

9 = Control with operating unit

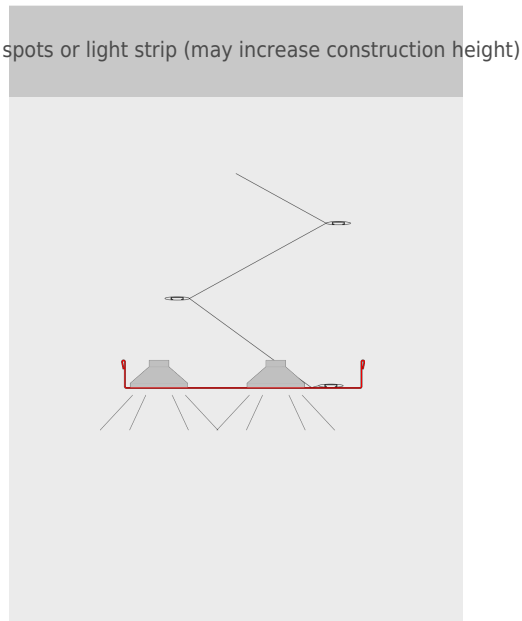
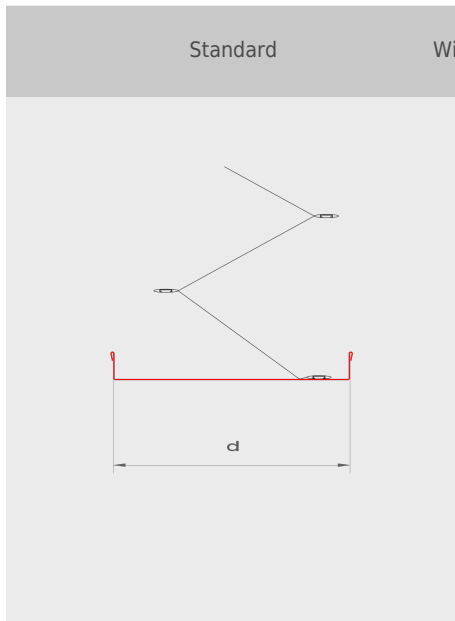
10 = Manual release

SL = System length

bottom bar

Standard

Special



housing

Standard

Housing (open)

h = 125 mm **d** = 290 mm
t = 490 mm

Housing (closed)

h = 125 mm **d** = 290 mm
t = 490 mm

housing

Special

Housing EI (open)

h = 240 mm **d** = 560 mm
t = 600 mm

Housing EI (closed)

h = 240 mm **d** = 560 mm
t = 600 mm

Optional with locking equipment

h = 125 mm
d = 290 mm
t = 490 mm
S = Infrarot Sicherung

side guides

