

Stoebich Fire & Smoke Curtain HC

The textile horizontal fire protection closure - without disturbing supporting or tensioning ropes

Product Description

The new generation of horizontal textile fire protection curtains - without supporting and tensioning cables! Stoebich Fire & Smoke Curtain HC was specially developed as a closure system for large ceiling openings up to 32.8' x 32.8'. The curtain with the additionally reinforced Stoebich Fire & Smoke Fabric H is positioned in a space-saving casing that forms a closed unit together with the closure rail. A two-part variant in the size 32.8' x 65.6' with centrally locking closure rails is planned. This system will be able to close large openings in ceilings very easily.

fire resistant

E 120

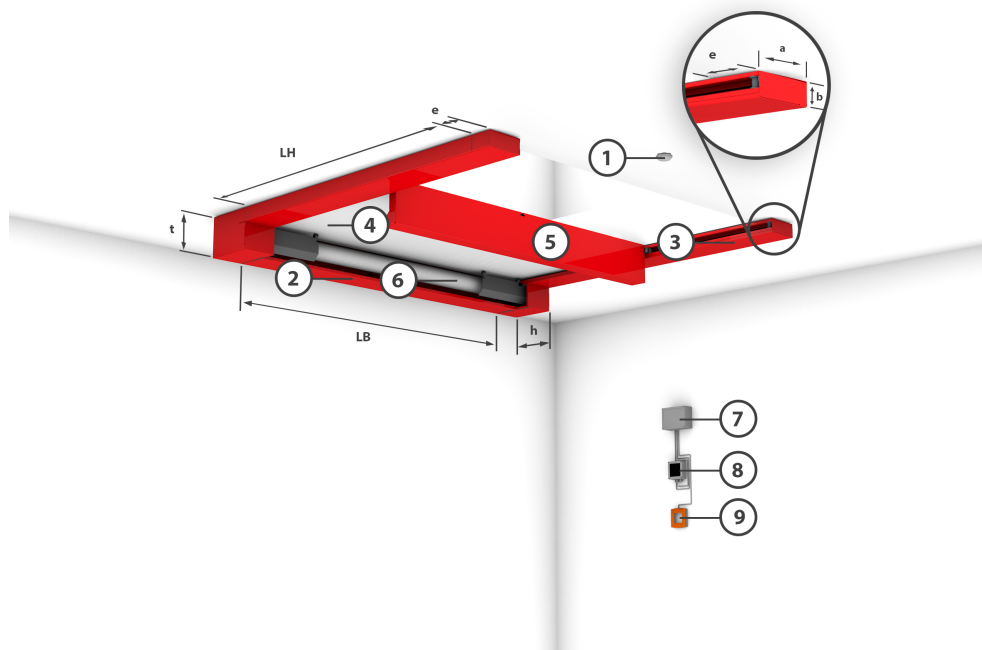
closing cycle

C self-closing • C1 number of closing cycles 500

Constructive structure (System drawing)

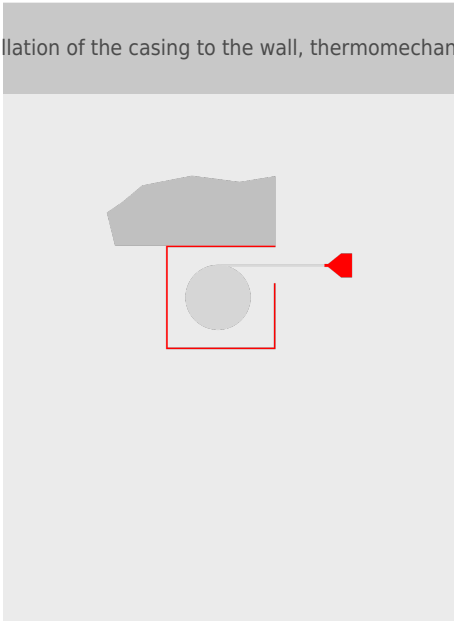
LB (m)	LH (m)	a (mm)	b (mm)	e* (mm)	t (mm)	h (mm)	Bemerkung
< 6	< 6	200	80	220	235	320	
< 10	< 10	300	150	220	400	610	technisch machbar
< 10	< 20	300	150	610	400	610	derzeit in Prüfung

(* Überdeckung der Schließseite)

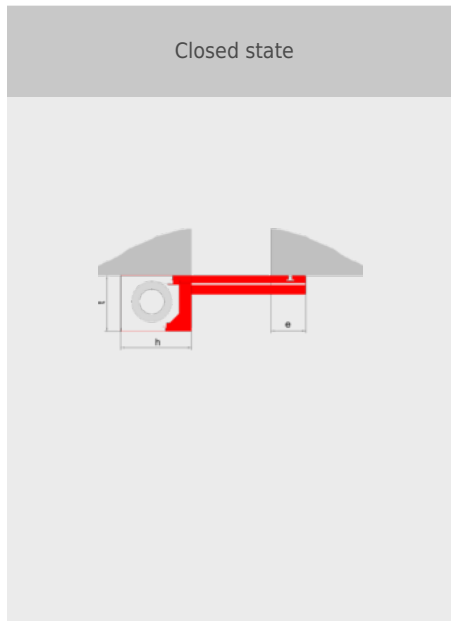
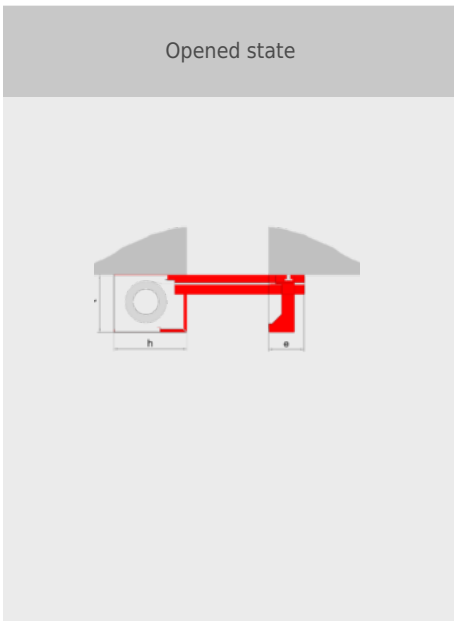


alternatives for installation

installation of the casing to the wall, thermomechanically



housing



side guides

