



ECClos®-S

conveyor system closure as a robust slide in sheet panel construction

Product Description

fire protection closure during ground bound conveyors

The sheet metal slider is characterized by its robust sandwich construction with all-round sheet metal cover. It is suitable for interrupted and continuous conveyor systems such as belt, roller and chain conveyors. Segmented slide elements allow smooth transport to the installation site. Variable fixed fields enable the simple implementation of customized solutions.

construction type	fire protection closure during ground bound conveyors	reopening	Motorised (standard) • manuell
fire resistant	2 hours fire rating and 120 minutes insulation in accordance with European test standard (EN 1366-7)	conveying system	skid conveyor • downhill runway • interrupted conveyor systems • Continuous belt conveyor • Continuous travelling carriages • Continuous chain conveyor • continuous roller conveyor • continuous conveyor system
closing direction	from left to right • from right to left • from top to bottom		
closing cycle	C5 number of closing cycles 200.000		

Constructive structure (System drawing - horizontal)

Required wall quality

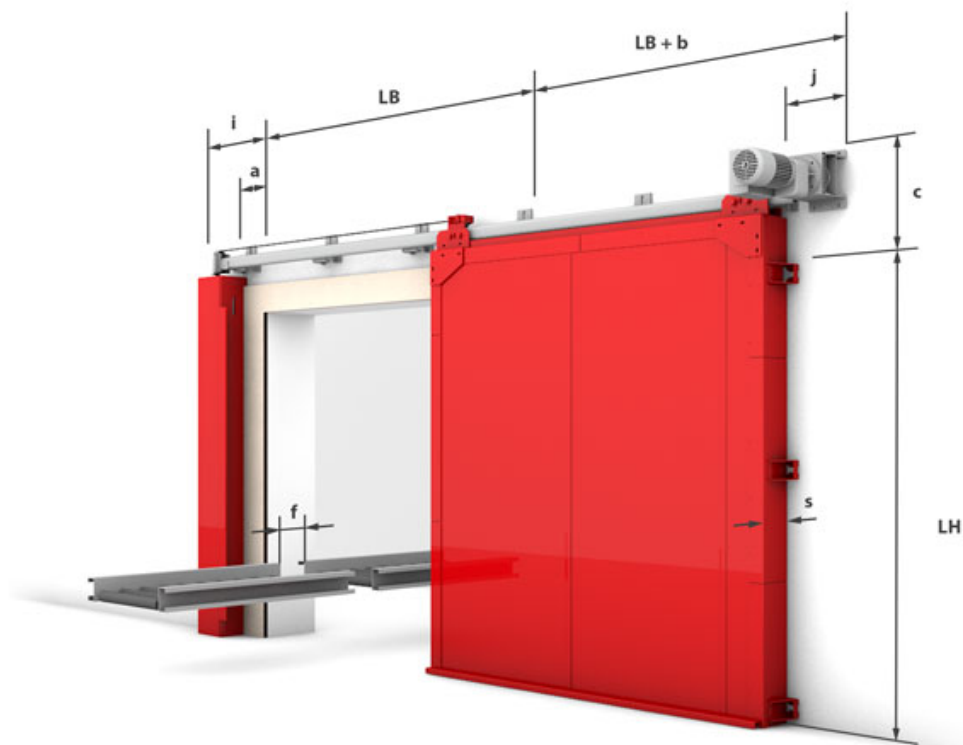
Brickwork	$d \geq 200 \text{ mm}$
Concrete	$d \geq 200 \text{ mm}$
Aerated concrete	$d \geq 200 \text{ mm}$
Assembly walls	$d \geq 160 \text{ mm}$
planked steel construction	acc. to DIN 4102-4

approval range (max 13.6sqm)

LB	4500 mm
LH	4500 mm

technical feasibility

LB	4500 mm
LH	5100 mm



a = 187 **b** = 590 **c** = 410 **f** = ≥ 164 **i** = 410 **j** = 150 **s** = 122

Constructive structure (System drawing - Vertical)

Required wall quality

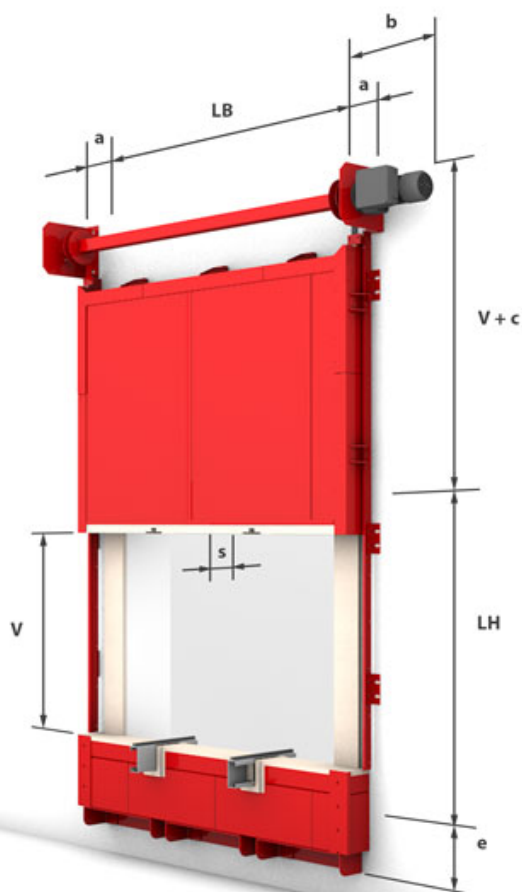
Brickwork	$d \geq 200 \text{ mm}$
Concrete	$d \geq 200 \text{ mm}$
Aerated concrete	$d \geq 200 \text{ mm}$
Assembly walls	$d \geq 160 \text{ mm}$
planked steel construction	acc. to DIN 4102-4

approval range (max 12,1sqm)

LB	4500 mm
LH	4500 mm

technical feasibility (max 20,25sqm)

LB	4500 mm
LH	5100 mm



a = 245 **b** = 660 **c** = 550/625 **e** = ≥ 0 **s** = 122